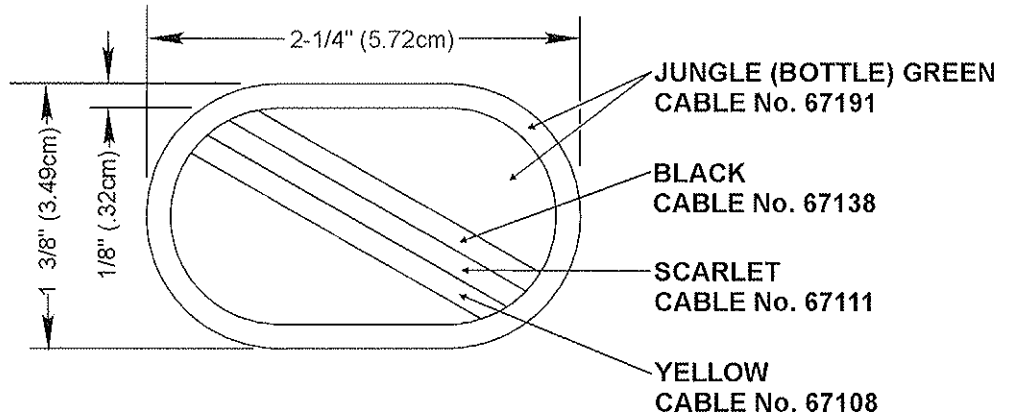


REVISIONS

| LTR | DESCRIPTION | DATE | APPROVED |
|-----|-------------|------|----------|
|-----|-------------|------|----------|



DESIGNED FOR OVEREDGE STITCHING

UNLESS OTHERWISE SPECIFIED DIMENSIONS ARE IN INCHES TOLERANCES ON FRACTIONS DECIMALS ANGLES

MATERIALS:
TO BE MANUFACTURED IN ACCORDANCE WITH MIL-DTL-14652

| | | |
|----------|------------------------------|------------|
| EXAMINED | | |
| CHECKED | <i>pm</i> | <i>SAD</i> |
| PREPARED | <i>CLN</i> | |
| APPROVED | <i>Charles V. Mugno</i> | |
| | CHARLES V. MUGNO DIRECTOR | |

THE INSTITUTE OF HERALDRY, DEPARTMENT OF THE ARMY
9325 GUNSTON RD, RM S-113 FORT BELVOIR, VA 22060-5579

BACKGROUND TRIMMING FOR
**SPECIAL FORCES DETACHMENT,
AIRBORNE, EUROPE**

| | | |
|----------|-------------------|----------------|
| SIZE | CONTROL IDENT. NO | A-6-300 |
| A | 22571 | |

| | | | |
|-------|------|------|-----------------|
| SCALE | FULL | DATE | 1 NOVEMBER 2011 |
|-------|------|------|-----------------|